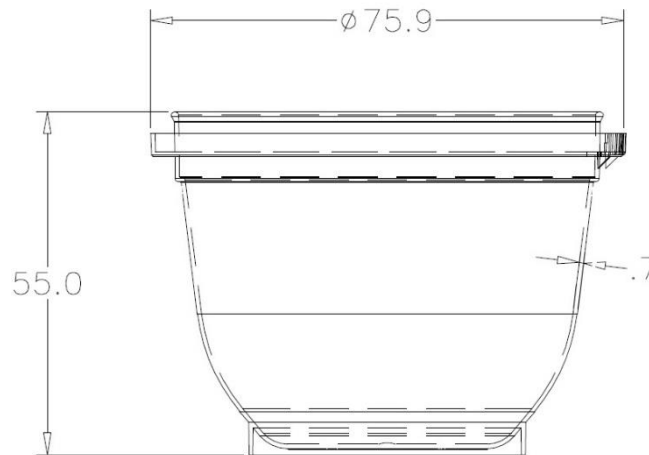


P135 – Pot 135ml PP

Issue Level B: 25/06/20

Page 1 of 1



Dimensions	Refer drawing above. All dimensions are measured in mm. Tolerance for all measurements is +/- 0.25mm		
Shape	Round curved		
Tamper Evidence	Tamper evidence break-out tab (designed to stay attached to container)		
Lid Options	Lid L72	Closure Plug Fit	Seal High Integrity
Volume	Brimful	143ml	
Weight (approx)	Tub without Lid	9.0g	
	Tub with Lid	13.4g	
Packaging	Units per carton	936	
	Carton Dimensions	L 564 x W 294 x H 473mm	
	Carton Weight	9.5kg (approx)	
	Carton Liner	Polypropylene	
	Cartons per Pallet	32	
	Units per Pallet	29,952	
	Pallet Dimension inc Pallet	1200 x 1200 x 2042mm	
	Pallet Cube inc Pallet	2.94cbm	
Raw Material	Polypropylene (PP) (freezer grade option available). Products are manufactured from food grade plastic polymers.		
Environmental	The material used to manufacture this product is recyclable.		
Colours	Clear. Other colours available on request.		
Labels	N/A		
Quality	Techno Plas is ISO 9001:2015 certified.		
Food Safety	Techno Plas is HACCP certified.		
Performance	Internal trials should be performed to determine suitability of this product for the intended use.		