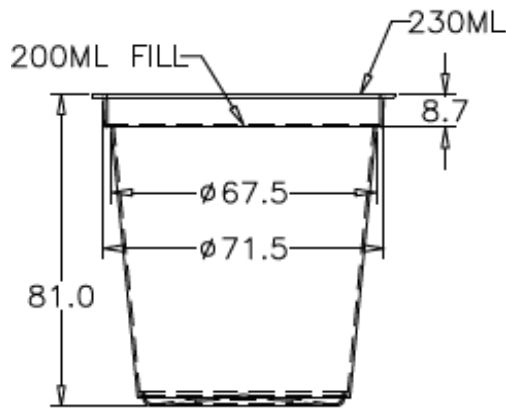


T230FS – Tub 230ml PP

Issue Level C: 21/10/2022

Page 1 of 1



Dimensions	Refer drawing above. All dimensions are measured in mm. Tolerance for all measurements is +/- 0.25mm		
Shape	Round tapered		
Tamper Evidence	Foil Seal capable		
Lid Options	Lid L77 L77OC	Closure Over cap	Seal N/A
Volume	Brimful	230ml	
	Recommended Fill	200ml	
Weight	Tub	9.25g	
Packaging	Units per carton	1,144	
	Carton Dimensions	L 564 x W 294 x H 473mm	
	Carton Weight	12kg	
	Carton Liner	Polyethylene	
	Cartons per Pallet	32	
	Units per Pallet	36,608	
	Pallet Dimension inc Pallet	1200 x 1200 x 2042mm	
	Pallet Cube inc Pallet	2.94m ³	
Raw Material	Polypropylene (PP) Products are manufactured from food grade plastic polymers that comply with U.S. Food & Drug Admin (FDA) Regulations 21 CFR part 177.1520 for olefin polymers, EU Directive EU 10/2011 or AS 2070 -1999.		
Environmental	The material used to manufacture this product is recyclable ♻		
Colours	Clear. Other colours available on request.		
Labels	In mould labelling (IML) optional		
Quality	Techno Plas is ISO 9001:2015 certified		
Food Safety	Techno Plas is HACCP certified		
Performance	<p>Hot Filling Suitable – Temperature to be determined by the user.</p> <p>Freezing Suitable – Temperature to be determined by the user.</p> <p>Re-heating This product can be microwaved.</p> <p>Washing This product is dishwasher safe</p> <p>Shelf Life Provided the product is stored, handled appropriately and remain in original condition with no damage to the packaging or product, the expiry is 5 years from date of manufacture. The information provided is a guide only; internal trials should be performed to determine suitability of this product for the intended use.</p>		