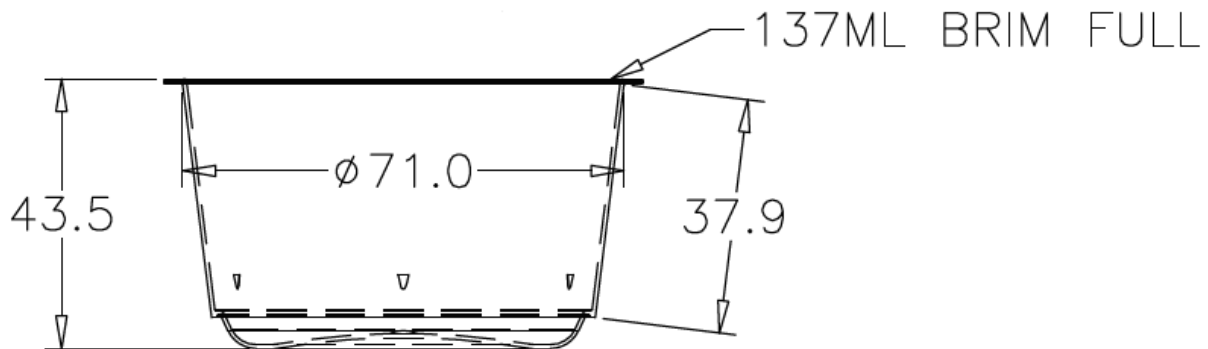


T137FS – Tub 137ml PP

Issue Level B: 24/05/2021

Page 1 of 1



| | | | |
|------------------------|-------------------------------------------------------------------------------------------------------------------------------------------------------------------------------------------------------------------------------------------------------------------------------------------------------------------------------------------------------------------------------------------------------------------------------------------------------------------------------------------------------------------------------------------------------------------------------------------------------------------------------------------------------------------|-------------------------|-------------|
| Dimensions | Refer drawing above. All dimensions are measured in mm. Tolerance for all measurements is +/- 0.25mm | | |
| Shape | Round tapered | | |
| Tamper Evidence | Foil Seal capable | | |
| Lid Options | Lid L77 L77OC | Closure Over cap | Seal N/A |
| Volume | Brimful | 137ml | |
| | Recommended Fill | 125ml | |
| Weight | Tub without Lid | 7.128g | |
| Packaging | Units per carton | 1508 | |
| | Carton Dimensions | L 564 x W 294 x H 473mm | |
| | Carton Weight | 11.7kg | |
| | Carton Liner | Polypropylene | |
| | Cartons per Pallet | 32 | |
| | Units per Pallet | 48,256 | |
| | Pallet Dimension inc Pallet | 1200 x 1200 x 2042mm | |
| | Pallet Cube inc Pallet | 2.94m ³ | |
| Raw Material | Polypropylene (PP) Products are manufactured from food grade plastic polymers that comply with U.S. Food & Drug Admin (FDA) Regulations 21 CFR part 177.1520 for olefin polymers, EU Directive EU 10/2011 or AS 2070 -1999 | | |
| Environmental | The material used to manufacture this product is recyclable ♻ | | |
| Colours | Natural. Other colours available on request. | | |
| Labels | In mould labelling (IML) optional | | |
| Quality | Techno Plas is ISO 9001:2015 certified | | |
| Food Safety | Techno Plas is 2003/13A HACCP certified | | |
| Performance | <p>Hot Filling Suitable – Temperature to be determined by the user.</p> <p>Freezing Suitable – Temperature to be determined by the user.</p> <p>Re-heating This product can be microwaved.</p> <p>Washing This product is dishwasher safe</p> <p>Shelf Life Provided the product is stored, handled appropriately and remain in original condition with no damage to the packaging or product, the expiry is 5 years from date of manufacture. <i>The information provided is a guide only; internal trials should be performed to determine suitability of this product for the intended use.</i></p> | | |