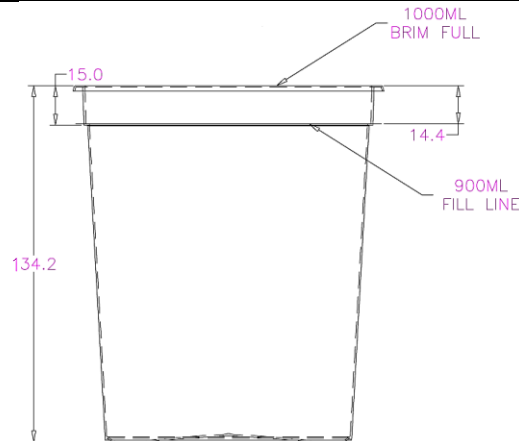


T1000FS – Tub 1000ml PP

Issue Level B: 05/08/2021

Page 1 of 1



Dimensions	Refer drawing above (not to scale). All dimensions are measured in mm. Tolerance for all measurements is +/- 0.25mm		
Shape	Round tapered		
Tamper Evidence	Foil Seal capable		
Lid Options	Lid L117	Closure Over cap	Seal N/A
Volume	Brimful Recommended Fill	1000ml 900ml	
Weight	Tub without Lid	32.4g	
Packaging	Units per carton Carton Dimensions Carton Weight Carton Liner Cartons per Pallet Units per Pallet Pallet Dimension inc Pallet Pallet Cube inc Pallet	252 L 580 x W 390 x H 415mm 10kgs Polyethylene 30 7,560 1200 x 1200 x 2240mm 3.23 m ³	
Raw Material	Polypropylene (PP) Products are manufactured from food grade plastic polymers.		
Environmental	The material used to manufacture this product is recyclable ♻️		
Colours	Natural. Other colours available on request.		
Labels	In mould labelling (IML) optional		
Quality	Techno Plas is ISO 9001:2015 certified		
Food Safety	Techno Plas is HACCP certified		
Performance	<p>Hot Filling Suitable – Temperature to be determined by the user.</p> <p>Freezing To be determined by the user. Plastics becomes more brittle at lower temperatures.</p> <p>Re-heating This product can be microwaved, conditions to be determined by the user.</p> <p>Washing This product is dishwasher safe, conditions to be determined by the user.</p> <p>Shelf Life Provided the product is stored, handled appropriately and remain in original condition with no damage to the packaging or product, the expiry is 5 years from date of manufacture. <i>The information provided is a guide only; internal trials should be performed to determine suitability of this product for the intended use.</i></p>		