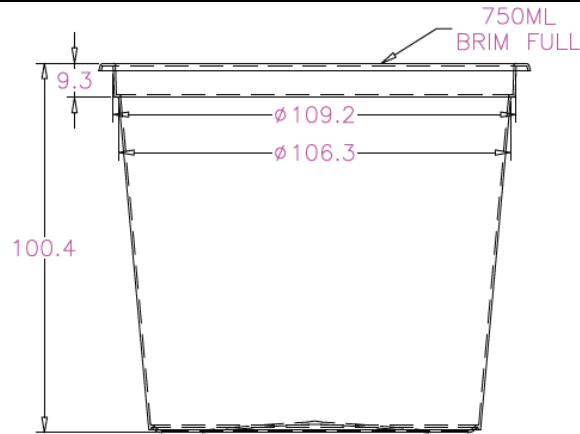


## T750FS – Tub 750ml PP

Issue Level D: 13/04/2023

Page 1 of 1



<b>Dimensions</b>	Refer drawing above (not to scale). All dimensions are measured in mm. Tolerance for all measurements is +/- 0.25mm		
<b>Shape</b>	Round tapered		
<b>Tamper Evidence</b>	Foil Seal capable		
<b>Lid Options</b>	Lid L117	Closure Over cap	Seal N/A
<b>Volume</b>	Brimful	750ml	
	Recommended Fill	720ml	
<b>Weight</b>	Tub without Lid	22.07g	
<b>Packaging</b>	Units per carton	528	
	Carton Dimensions	L 580 x W 390 x H 415mm	
	Carton Weight	11.3kg	
	Carton Liner	Polyethylene	
	Cartons per Pallet	30	
	Units per Pallet	15,840	
	Pallet Dimension inc Pallet	1200 x 1200 x 2240mm	
	Pallet Cube inc Pallet	3.23m <sup>3</sup>	
<b>Raw Material</b>	Polypropylene (PP) Products are manufactured from food grade plastic polymers that comply with U.S. Food & Drug Admin (FDA) Regulations 21 CFR part 177.1520 for olefin polymers, EU Directive EU 10/2011 or AS 2070 -1999		
<b>Environmental</b>	The material used to manufacture this product is recyclable ♻		
<b>Colours</b>	Natural, Clear, White. Other colours available on request.		
<b>Labels</b>	In mould labelling (IML) optional		
<b>Quality</b>	Techno Plas is ISO 9001:2015 certified		
<b>Food Safety</b>	Techno Plas is HACCP certified		
<b>Performance</b>	<p><b>Hot Filling</b> Suitable – Temperature to be determined by the user.</p> <p><b>Re-heating</b> This product can be microwaved.</p> <p><b>Washing</b> This product is dishwasher safe</p> <p><b>Shelf Life</b> Provided the product is stored, handled appropriately and remain in original condition with no damage to the packaging or product, the expiry is 5 years from date of manufacture. <i>The information provided is a guide only; internal trials should be performed to determine suitability of this product for the intended use.</i></p>		