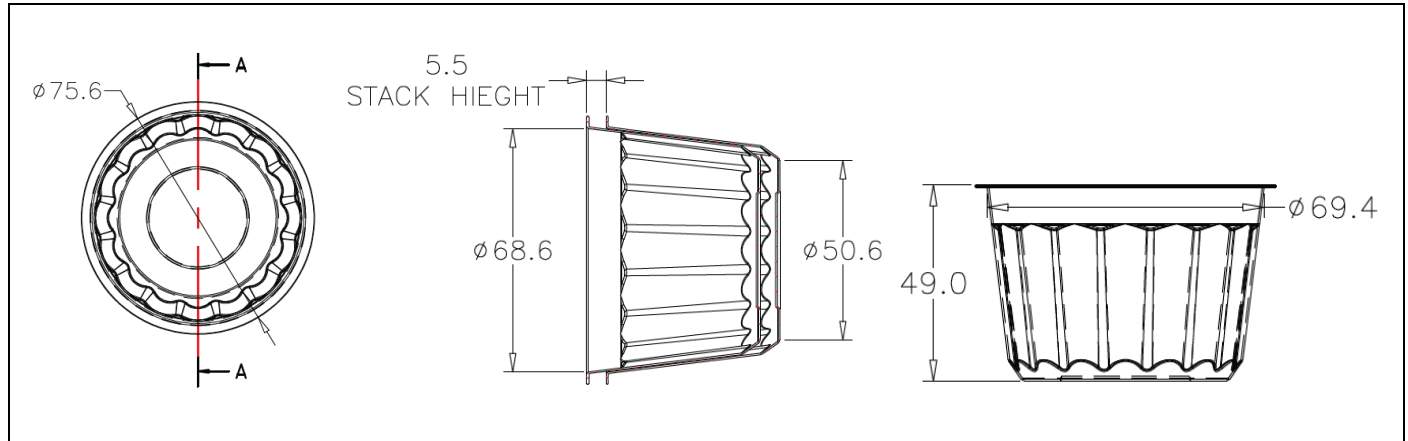


109514XX - T146FS Juice Cup PP

Issue Level A: 14/01/2022

Page 1 of 1



Dimensions	Refer drawing above (not to scale). All dimensions are measured in mm. Tolerance for all measurements is +/- 0.25mm	
Tamper Evidence	Foil seal applied by user.	
Cap Options	No	
Volume	To be determined by customer	
Weight	6g (approx)	
Packaging	Units per carton	2072
	Carton Dimensions	L 564 x W 294 x H 473mm
	Carton Weight	13.5kg (approx)
	Carton Liner	Polyethylene
	Cartons per Pallet	32
	Units per Pallet	66,304
	Pallet Dimension inc Pallet	1200 x 1200 x 2042mm
	Pallet Cube inc Pallet	2.94m ³
Raw Material	Polypropylene (PP) Products are manufactured from food grade plastic polymers that comply with U.S. Food & Drug Admin (FDA) Regulations 21 CFR part 177.1520 for olefin polymers, EU Directive EU 10/2011 or AS 2070 -1999	
Environmental	The material used to manufacture this product is recyclable (recycle code 5)	
Colours	Clear (non-freezer grade), natural / opaque (freezer grade). Other colours available.	
Labels	Not available	
Quality	Techno Plas is ISO 9001:2015 certified	
Food Safety	Techno Plas is HACCP certified	
Performance	<p>Hot Filling Suitable – Temperature to be determined by the user.</p> <p>Freezing Freezer grade option available – Temperature to be determined by the user.</p> <p>Re-heating This product can be microwaved.</p> <p>Washing This product is dishwasher safe</p> <p>Shelf Life Provided the product is stored, handled appropriately and remain in original condition with no damage to the packaging or product, the expiry is 5 years from date of manufacture. <i>The information provided is a guide only; internal trials should be performed to determine suitability of this product for the intended use.</i></p>	