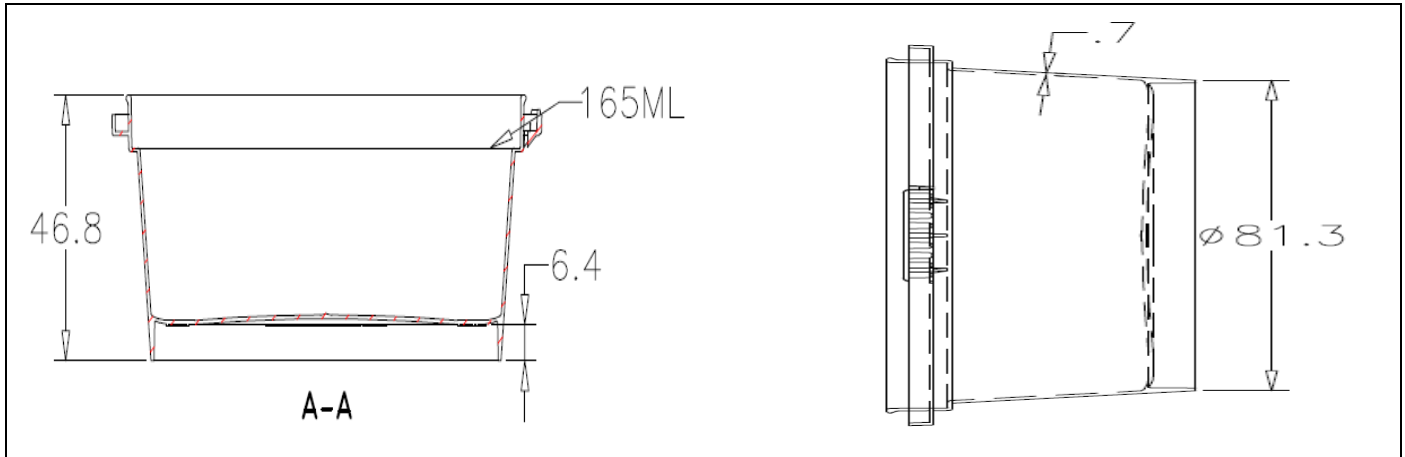



T165 – Tub 165ml PP Clear

Issue Level C: 28/09/2022

Page 1 of 1



Dimensions	Refer drawing above. All dimensions are measured in mm. Tolerance for all measurements is +/- 0.25mm		
Shape	Round tapered		
Tamper Evidence	Tamper evidence break-out tab (designed to be stay attached to container)		
Lid Options	Lid L99	Closure Plug Fit	Seal High Integrity
Volume	Fill Line Volume	165ml	
Weight	Tub without Lid	13.4g	
	Tub with Lid	20.6g	
Packaging	Units per carton	540	
	Carton Dimensions	L 564 x W 294 x H 473 mm	
	Carton Weight	8.1kg	
	Carton Liner	Polyethylene	
	Cartons per Pallet	32	
	Units per Pallet	17,280	
	Pallet Dimension inc Pallet	1200 x 1200 x 2042 mm	
	Pallet Cube inc Pallet	2.94m ³	
Raw Material	Polypropylene (PP) Products are manufactured from food grade plastic polymers that comply with U.S. Food & Drug Admin (FDA) Regulations 21 CFR part 177.1520 for olefin polymers, EU Directive EU 10/2011 or AS 2070 -1999		
Environmental	The material used to manufacture this product is recyclable 		
Colours	Clear. Other colours available on request.		
Labels	In mould labelling (IML) optional		
Quality	Techno Plas is ISO 9001:2015 certified		
Food Safety	Techno Plas is HACCP certified		
Performance	<p>Hot Filling Suitable – Temperature to be determined by the user.</p> <p>Freezing Suitable – Temperature to be determined by the user.</p> <p>Re-heating This product can be microwaved.</p> <p>Washing This product is dishwasher safe</p> <p>Shelf Life Provided the product is stored, handled appropriately and remain in original condition with no damage to the packaging or product, the expiry is 5 years from date of manufacture. <i>The information provided is a guide only; internal trials should be performed to determine suitability of this product for the intended use.</i></p>		