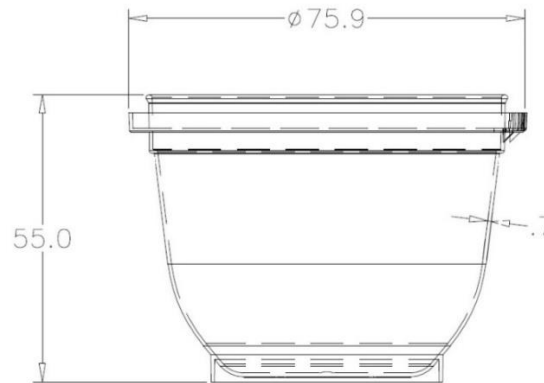


P135 – Pot 135ml PP

Issue Level E: 2/08/2023

Page 1 of 1



Dimensions	Refer drawing above. All dimensions are measured in mm. Tolerance for all measurements is +/- 0.25mm		
Shape	Round curved		
Tamper Evidence	Tamper evidence break-out tab (designed to stay attached to container)		
Lid Options	Lid L72	Closure Plug Fit	Seal High Integrity
Volume	Brimful	143ml	
Weight (approx)	Tub without Lid	9.0g	
	Tub with Lid	13.4g	
Packaging	Units per carton	1125	
	Carton Dimensions	L 564 x W 294 x H 473mm	
	Carton Weight	11kg (approx)	
	Carton Liner	Polyethylene	
	Cartons per Pallet	30	
	Units per Pallet	33,750	
	Pallet Dimension inc Pallet	1200 x 1200 x 2042mm	
	Pallet Cube inc Pallet	2.94m ³	
Raw Material	Polypropylene (PP) Products are manufactured from food grade plastic polymers that comply with U.S. Food & Drug Admin (FDA) Regulations 21 CFR part 177.1520 for olefin polymers, EU Directive EU 10/2011 or AS 2070 -1999		
Environmental	The material used to manufacture this product is recyclable.♻️		
Colours	Clear. Other colours available on request.		
Labels	N/A		
Quality	Techno Plas is ISO 9001:2015 certified.		
Food Safety	Techno Plas is HACCP certified		
Performance	<p>Hot Filling Suitable – Product maintains integrity when exposed to temperatures up to 121°C for 15 minutes, however users should perform internal trials to determine a suitable temperature and exposure time based on application and intended use. <i>Please note plastic becomes flexible when heated and due care must be taken in relation to handling after hot filling.</i></p> <p>Freezing Suitable – Freezer grade material available. Temperatures to be determined by the user. <i>Please note plastic can become brittle when exposed to low temperatures.</i></p> <p>Re-heating This product can be microwaved.</p> <p>Washing This product is dishwasher safe. <i>The information provided is a guide only; internal trials should be performed to determine suitability of this product for the intended use.</i></p>		