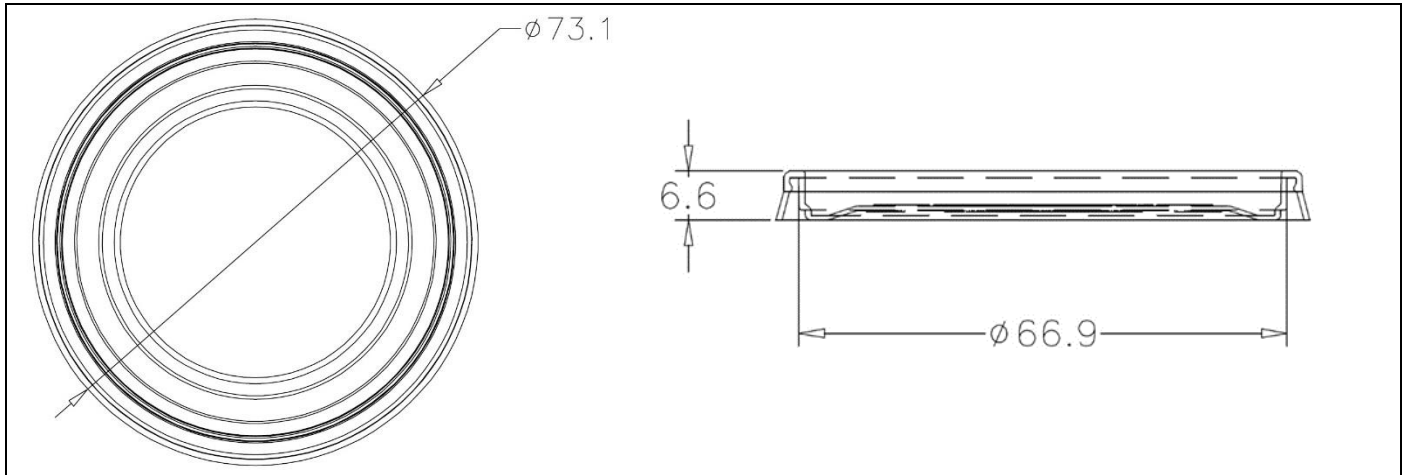


L72 - Lid 72mm PE

Issue Level B: 24/05/2021

Page 1 of 1



Dimensions	Refer drawing above. All dimensions are measured in mm. Tolerance for all measurements is +/- 0.25mm		
Shape	Round		
Container Options	Container T93 P135	Closure Plug Fit	Seal High Integrity
Weight	Lid without Tub	4.342gm	
Packaging	Units per carton	1872	
	Carton Dimensions	L 564 x W 294 x H 473mm	
	Carton Weight	9.32kg	
	Carton Liner	Polyethylene	
	Cartons per Pallet	32	
	Units per Pallet	59,904	
	Pallet Dimension inc Pallet	1200 x 1200 x 2042mm	
	Pallet Cube inc Pallet	2.94m ³	
Raw Material	Polyethylene (PE) Products are manufactured from food grade plastic polymers that comply with U.S. Food & Drug Admin (FDA) Regulations 21 CFR part 177.1520 for olefin polymers, EU Directive EU 10/2011 or AS 2070 -1999.		
Environmental	The material used to manufacture this product is recyclable ♻		
Colours	Black, White & Clear. Other colours available on request.		
Labels	In mould labelling (IML) optional		
Quality	Techno Plas is ISO 9001:2015 certified		
Food Safety	Techno Plas is 2003/13A HACCP certified		
Performance	<p>Hot Filling Suitable up to 80°C however user should perform internal trials to determine if suitable for intended use. <i>Please note plastic becomes flexible when heated and due care must be taken in relation to handling after hot filling.</i></p> <p>Freezing Suitable – Temperature to be determined by the user.</p> <p>Re-heating This product can be microwaved.</p> <p>Washing This product is dishwasher safe. <i>The information provided is a guide only; internal trials should be performed to determine suitability of this product for the intended use.</i></p>		