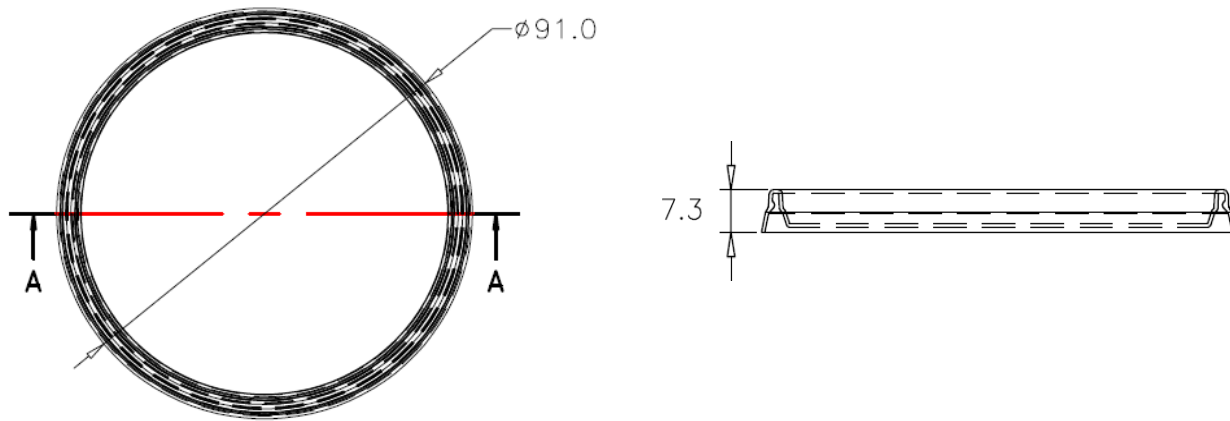


L94 – Lid 94mm PP

Issue Level B: 24/05/2021

Page 1 of 1



Dimensions	Refer drawing above. All dimensions are measured in mm. Tolerance for all measurements is +/- 0.25mm		
Shape	Round		
Container Options	Tub: T520 T365	Closure: Plug Fit	Seal: Medium Integrity
Weight	Lid without Tub	5.186gm	
Packaging	Units per carton	780	
	Carton Dimensions	L 510 x W 200 x H 325mm	
	Carton Weight	4.565kg	
	Carton Liner	Polyethylene	
	Cartons per Pallet	60	
	Units per Pallet	46,800	
	Pallet Dimension inc Pallet	1200 x 1200 x 1775mm	
	Pallet Cube inc Pallet	2.56m ³	
Raw Material	Polypropylene (PP) Products are manufactured from food grade plastic polymers that comply with U.S. Food & Drug Admin (FDA) Regulations 21 CFR part 177.1520 for olefin polymers, EU Directive EU 10/2011 or AS 2070 -1999.		
Environmental	The material used to manufacture this product is recyclable ♻		
Colours	Natural, Clear, White - Other colours available on request.		
Labels	In mould labelling (IML) optional		
Quality	Techno Plas is ISO 9001:2015 certified		
Food Safety	Techno Plas is 2003/13A HACCP certified		
Performance	<p>Hot Filling Suitable – Temperature to be determined by the user.</p> <p>Freezing Suitable – Temperature to be determined by the user.</p> <p>Re-heating This product can be microwaved.</p> <p>Washing This product is dishwasher safe</p> <p>Shelf Life Provided the product is stored, handled appropriately and remain in original condition with no damage to the packaging or product, the expiry is 5 years from date of manufacture. <i>The information provided is a guide only; internal trials should be performed to determine suitability of this product for the intended use.</i></p>		