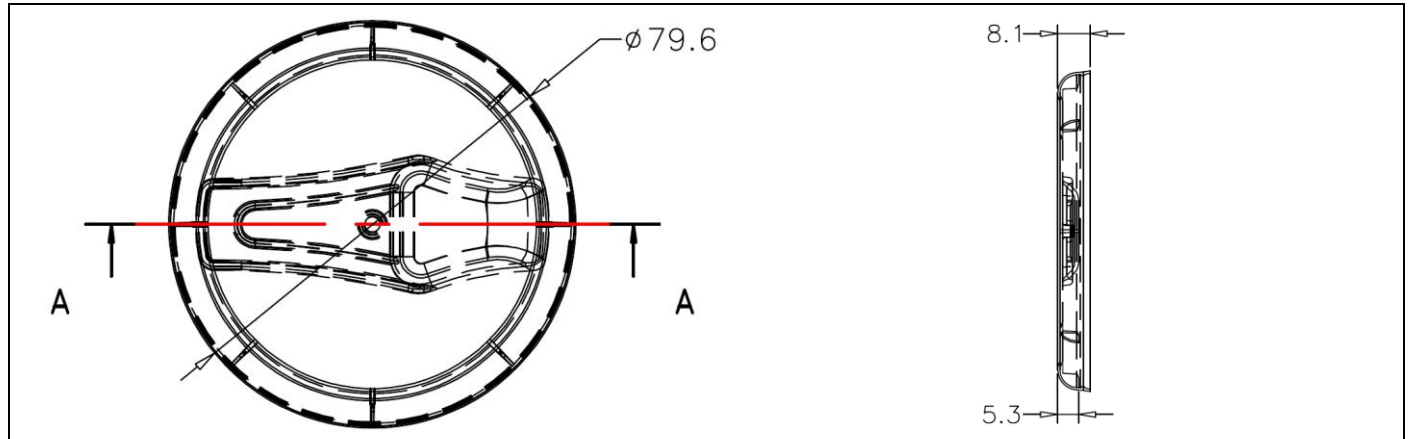


L77 – Lid 77mm PP with Spoon attached

Issue Level C: 28/09/2022

Page 1 of 1



Dimensions	Refer drawing above. All dimensions are measured in mm. Tolerance for all measurements is +/- 0.25mm				
Shape	Round				
Container Options	Tub T83FS T110FS T133FS	T137FS T150FS T180FS	T230FS	Closure Over Cap	Seal N/A
Weight	Lid without Spoon	3.969gm			
	Lid with Spoon	5.419gm			
	Spoon	1.450gm			
Packaging	Units per carton	1512			
	Carton Dimensions	L 610 x W 270 x H 370mm			
	Carton Weight	9.305kg			
	Carton Liner	Polyethylene			
	Cartons per Pallet	32			
	Units per Pallet	48,384			
	Pallet Dimension inc Pallet	1200 x 1200 x 1630mm			
	Pallet Cube inc Pallet	2.35m ³			
Raw Material	Polypropylene (PP) Products are manufactured from food grade plastic polymers that comply with U.S. Food & Drug Admin (FDA) Regulations 21 CFR part 177.1520 for olefin polymers, EU Directive EU 10/2011 or AS 2070 -1999.				
Environmental	The material used to manufacture this product is recyclable ♻️				
Colours	Natural or White. Other colours available on request.				
Labels	In mould labelling (IML) optional				
Quality	Techno Plas is ISO 9001:2015 certified				
Food Safety	Techno Plas is HACCP certified				
Performance	<p>Hot Filling Suitable – Temperature to be determined by the user.</p> <p>Freezing Suitable – Temperature to be determined by the user.</p> <p>Re-heating This product can be microwaved.</p> <p>Washing This product is dishwasher safe</p> <p>Shelf Life Provided the product is stored, handled appropriately and remain in original condition with no damage to the packaging or product, the expiry is 5 years from date of manufacture. <i>The information provided is a guide only; internal trials should be performed to determine suitability of this product for the intended use.</i></p>				