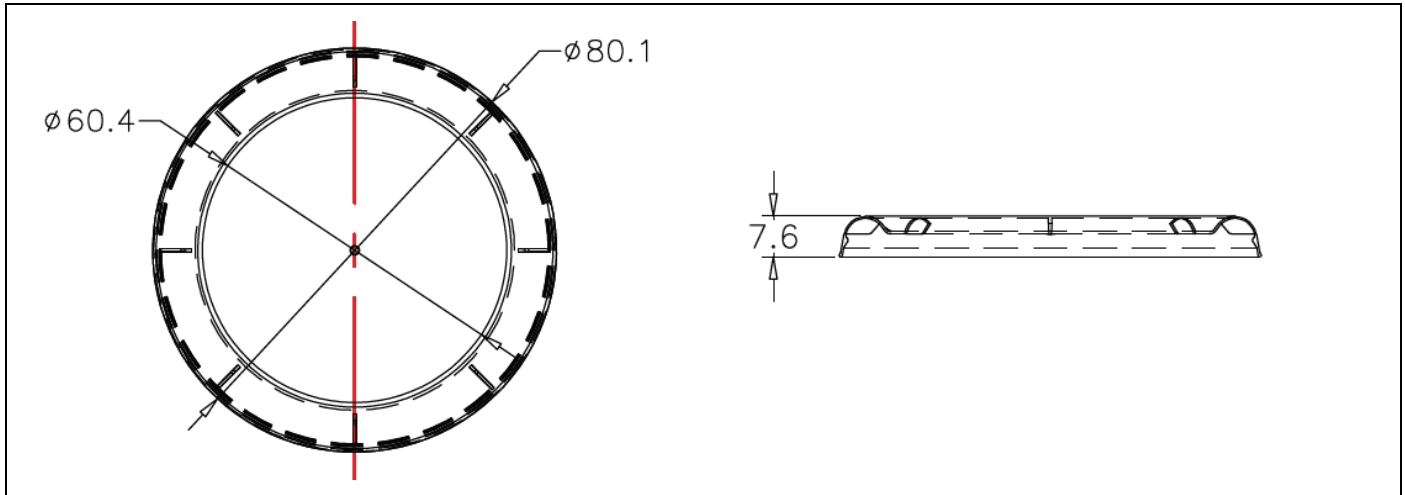


## L770C – Lid 77mm PP Overcap

Issue Level B: 24/05/2021

Page 1 of 1



<b>Dimensions</b>	Refer drawing above. All dimensions are measured in mm. Tolerance for all measurements is +/- 0.25mm				
<b>Shape</b>	Round				
<b>Container Options</b>	Tub T110FS T133FS	T137FS T150FS	T180FS T230FS	Closure Over Cap	Seal N/A
<b>Weight</b>	Lid		2.5gm		
<b>Packaging</b>	Units per carton		2,310		
	Carton Dimensions		L 610 x W 270 x H 370mm		
	Carton Weight		7kg		
	Carton Liner		Polyethylene		
	Cartons per Pallet		40		
	Units per Pallet		95,760		
	Pallet Dimension inc Pallet		1200 x 1200 x 2240mm		
	Pallet Cube inc Pallet		3.23m <sup>3</sup>		
<b>Raw Material</b>	Polypropylene (PP) Products are manufactured from food grade plastic polymers that comply with U.S. Food & Drug Admin (FDA) Regulations 21 CFR part 177.1520 for olefin polymers, EU Directive EU 10/2011 or AS 2070 -1999				
<b>Environmental</b>	The material used to manufacture this product is recyclable ♻️				
<b>Colours</b>	Clear. Other colours available on request.				
<b>Labels</b>	In mould labelling (IML) optional				
<b>Quality</b>	Techno Plas is ISO 9001:2015 certified				
<b>Food Safety</b>	Techno Plas is 2003/13A HACCP certified				
<b>Performance</b>	<p><b>Hot Filling</b> Suitable – Temperature to be determined by the user.</p> <p><b>Freezing</b> Suitable – Temperature to be determined by the user.</p> <p><b>Re-heating</b> This product can be microwaved.</p> <p><b>Washing</b> This product is dishwasher safe</p> <p><b>Shelf Life</b> Provided the product is stored, handled appropriately and remain in original condition with no damage to the packaging or product, the expiry is 5 years from date of manufacture. <i>The information provided is a guide only; internal trials should be performed to determine suitability of this product for the intended use.</i></p>				