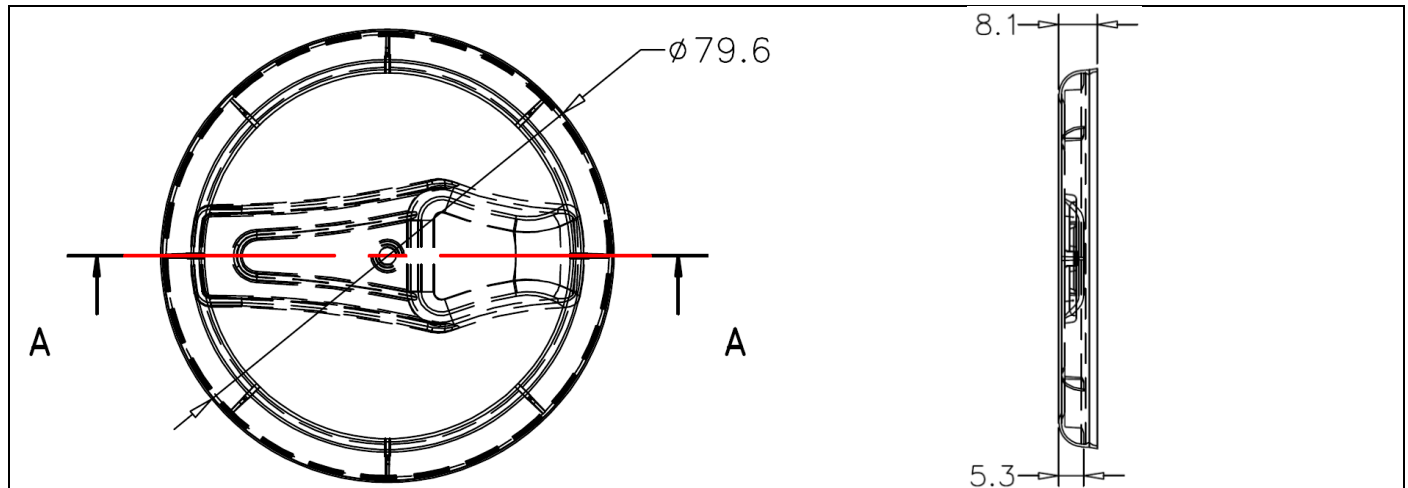


## L77 – Lid 77mm PP with Spoon attached

Issue Level A: 31/05/2017

Page 1 of 1



|                          |   |   |             |
|--------------------------|---|---|-------------|
| <b>Dimensions</b>        | Refer drawing above. All dimensions are measured in mm.<br>Tolerance for all measurements is +/- 0.25mm   |   |             |
| <b>Shape</b>             | Round   |   |             |
| <b>Container Options</b> | Tub<br>T110FS<br>T150FS   | Closure<br>Over Cap   | Seal<br>N/A |
| <b>Weight</b>            | Lid without Spoon<br>Lid with Spoon<br>Spoon  | 3.969gm<br>1.450gm<br>5.419gm   |             |
| <b>Packaging</b>         | Units per carton<br>Carton Dimensions<br>Carton Weight<br>Carton Liner<br>Cartons per Pallet<br>Units per Pallet<br>Pallet Dimension inc Pallet<br>Pallet Cube inc Pallet   | 1554<br>L 610 x W 270 x H 370mm<br>9.305kgs<br>Polypropylene<br>32<br>49,728<br>1200 x 1200 x 1630mm<br>2.35cbm |             |
| <b>Raw Material</b>      | Polypropylene (PP)<br>Products are manufactured from food grade plastic polymers that comply with U.S Food and Drug Administration (FDA) regulations Title 21 CFR Part 177 .1520  |   |             |
| <b>Environmental</b>     | The material used to manufacture this product is recyclable   |   |             |
| <b>Colours</b>           | Natural. Other colours available on request.  |   |             |
| <b>Labels</b>            | In mould labelling (IML) optional   |   |             |
| <b>Quality</b>           | Techno Plas is ISO 9001:2008 certified  |   |             |
| <b>Food Safety</b>       | Techno Plas is 2003/13A HACCP certified   |   |             |
| <b>Performance</b>       | <p><b>Hot Filling</b><br/>Suitable – Temperature to be determined by the user.</p> <p><b>Freezing</b><br/>Suitable – Temperature to be determined by the user.</p> <p><b>Re-heating</b><br/>This product can be microwaved.</p> <p><b>Washing</b><br/>This product is dishwasher safe</p> <p><b>Shelf Life</b><br/>Provided the product is stored, handled appropriately and remain in original condition with no damage to the packaging or product, the expiry is 5 years from date of manufacture.<br/><i>The information provided is a guide only; internal trials should be performed to determine suitability of this product for the intended use.</i></p> |   |             |