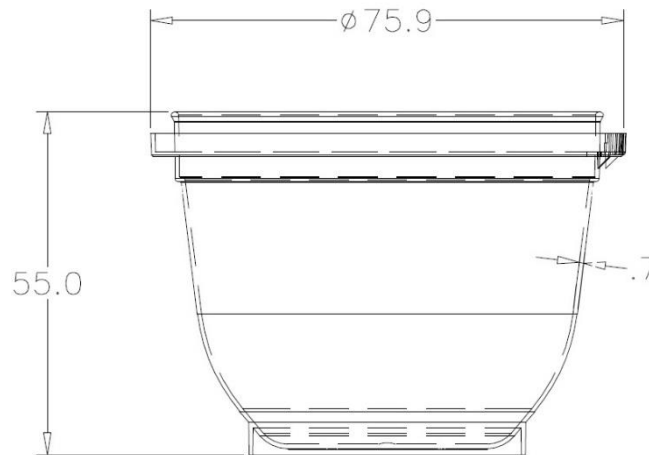


P135-72 – Pot 135ml PP

Issue Level A: 11/08/2017

Page 1 of 1



Dimensions	Refer drawing above. All dimensions are measured in mm. Tolerance for all measurements is +/- 0.25mm		
Shape	Round curved		
Tamper Evidence	Tamper evidence break-out tab (designed to stay attached to container)		
Lid Options	Lid L72	Closure Plug Fit	Seal High Integrity
Volume	Brimful	143ml	
Weight	Tub without Lid	9.035gm	
	Tub with Lid	13.377gm	
Packaging	Units per carton	936	
	Carton Dimensions	L 564 x W 294 x H 473mm	
	Carton Weight	9.225kgs	
	Carton Liner	Polypropylene	
	Cartons per Pallet	32	
	Units per Pallet	29,952	
	Pallet Dimension inc Pallet	1200 x 1200 x 2042mm	
	Pallet Cube inc Pallet	2.94cbm	
Raw Material	Polypropylene (PP) Products are manufactured from food grade plastic polymers that comply with U.S Food and Drug Administration (FDA) regulations Title 21 CFR Part 177 .1520		
Environmental	The material used to manufacture this product is recyclable		
Colours	Clear. Other colours available on request.		
Labels	N/A		
Quality	Techno Plas is ISO 9001:2008 certified		
Food Safety	Techno Plas is 2003/13A HACCP certified		
Performance	<p>Hot Filling Suitable – Temperature to be determined by the user.</p> <p>Freezing Suitable – Temperature to be determined by the user.</p> <p>Re-heating This product can be microwaved.</p> <p>Washing This product is dishwasher safe</p> <p>Shelf Life Provided the product is stored, handled appropriately and remain in original condition with no damage to the packaging or product, the expiry is 5 years from date of manufacture. <i>The information provided is a guide only; internal trials should be performed to determine suitability of this product for the intended use.</i></p>		