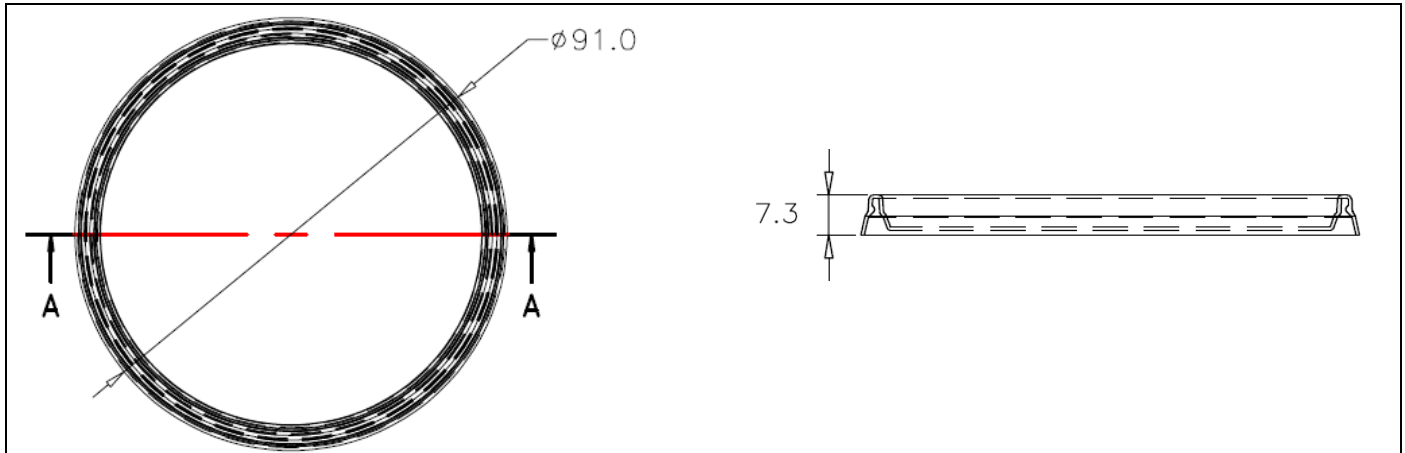


## L94 – Lid 94mm PP

Issue Level A: 11/08/2017

Page 1 of 1



<b>Dimensions</b>	Refer drawing above. All dimensions are measured in mm. Tolerance for all measurements is +/- 0.25mm		
<b>Shape</b>	Round		
<b>Container Options</b>	Tub T520	Closure Plug Fit	Seal Medium Integrity
<b>Weight</b>	Lid without Tub	5.186gm	
<b>Packaging</b>	Units per carton	780	
	Carton Dimensions	L 510 x W 200 x H 325mm	
	Carton Weight	4.565kgs	
	Carton Liner	Polypropylene	
	Cartons per Pallet	48	
	Units per Pallet	37,440	
	Pallet Dimension inc Pallet	1200 x 1200 x 1450mm	
	Pallet Cube inc Pallet	2.09cbm	
<b>Raw Material</b>	Polypropylene (PP) Products are manufactured from food grade plastic polymers that comply with U.S Food and Drug Administration (FDA) regulations Title 21 CFR Part 177 .1520		
<b>Environmental</b>	The material used to manufacture this product is recyclable		
<b>Colours</b>	Natural. Other colours available on request.		
<b>Labels</b>	In mould labelling (IML) optional		
<b>Quality</b>	Techno Plas is ISO 9001:2008 certified		
<b>Food Safety</b>	Techno Plas is 2003/13A HACCP certified		
<b>Performance</b>	<p><b>Hot Filling</b> Suitable – Temperature to be determined by the user.</p> <p><b>Freezing</b> Suitable – Temperature to be determined by the user.</p> <p><b>Re-heating</b> This product can be microwaved.</p> <p><b>Washing</b> This product is dishwasher safe</p> <p><b>Shelf Life</b> Provided the product is stored, handled appropriately and remain in original condition with no damage to the packaging or product, the expiry is 5 years from date of manufacture. <i>The information provided is a guide only; internal trials should be performed to determine suitability of this product for the intended use.</i></p>		